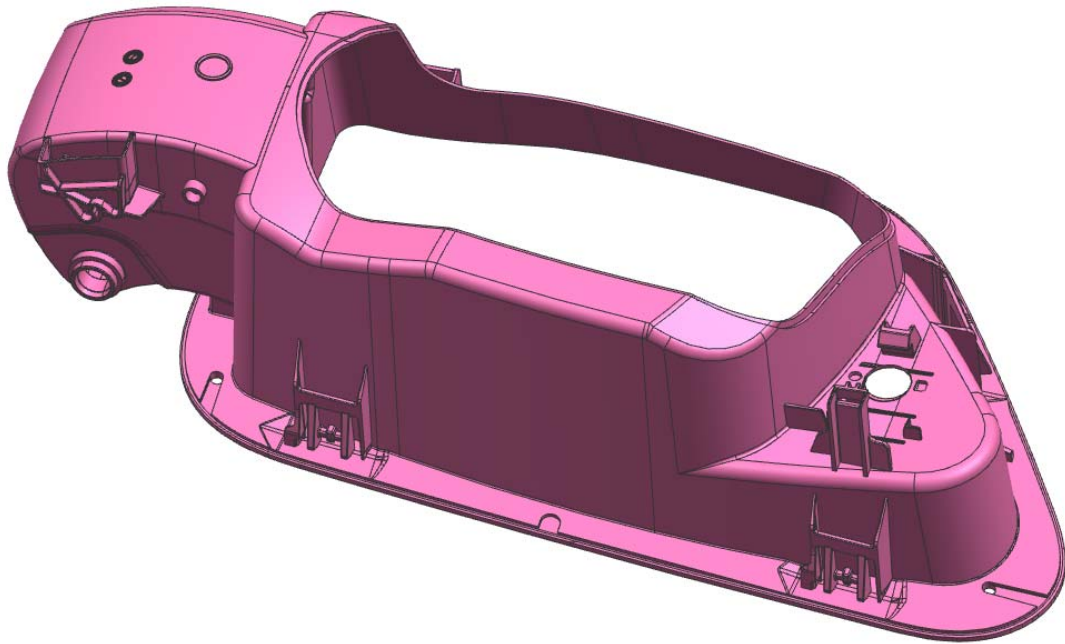


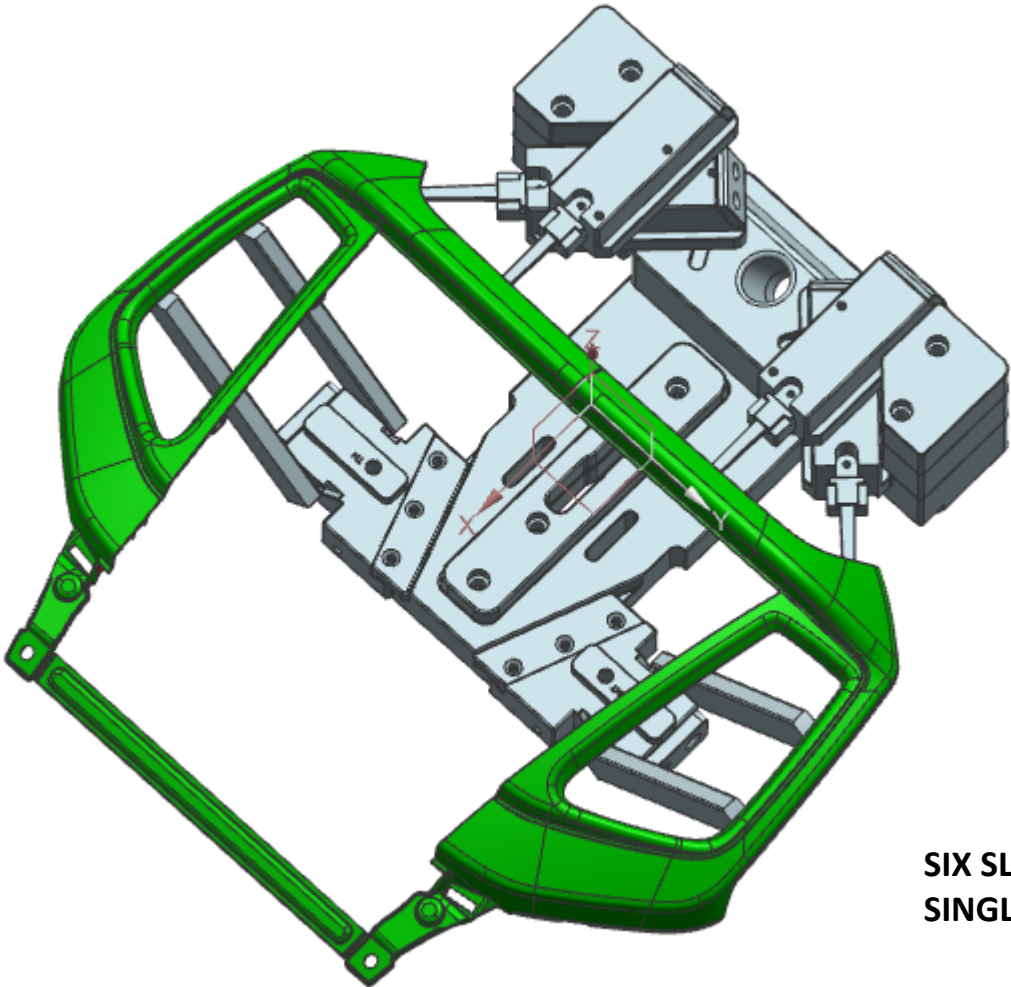
COMPANY PROFILE –

SUPREMO PROFILES
PRIVATE LIMITED. MIDC – BHOSARI, PUNE, INDIA



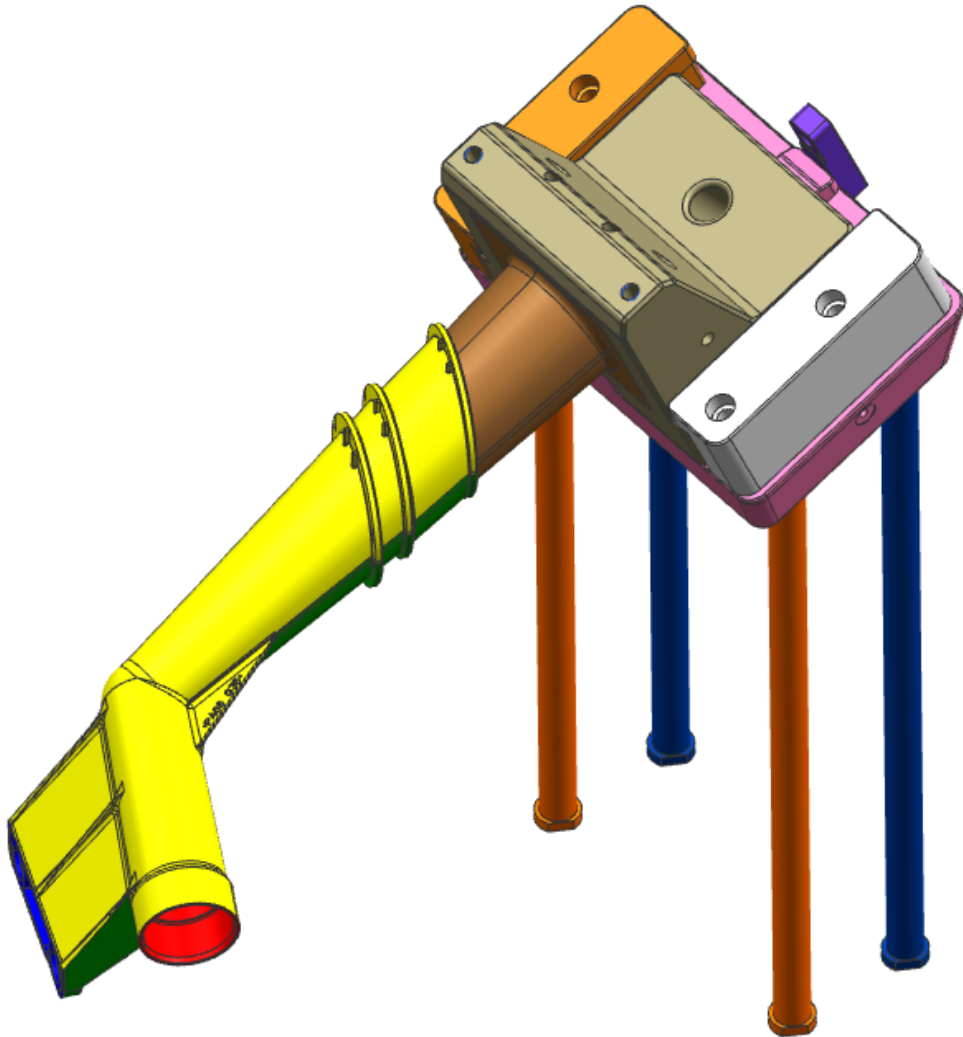
FUEL FILLER HOUSING WITH RADIAL CORE MOVEMENT

UPPER CENTRE BEZEL



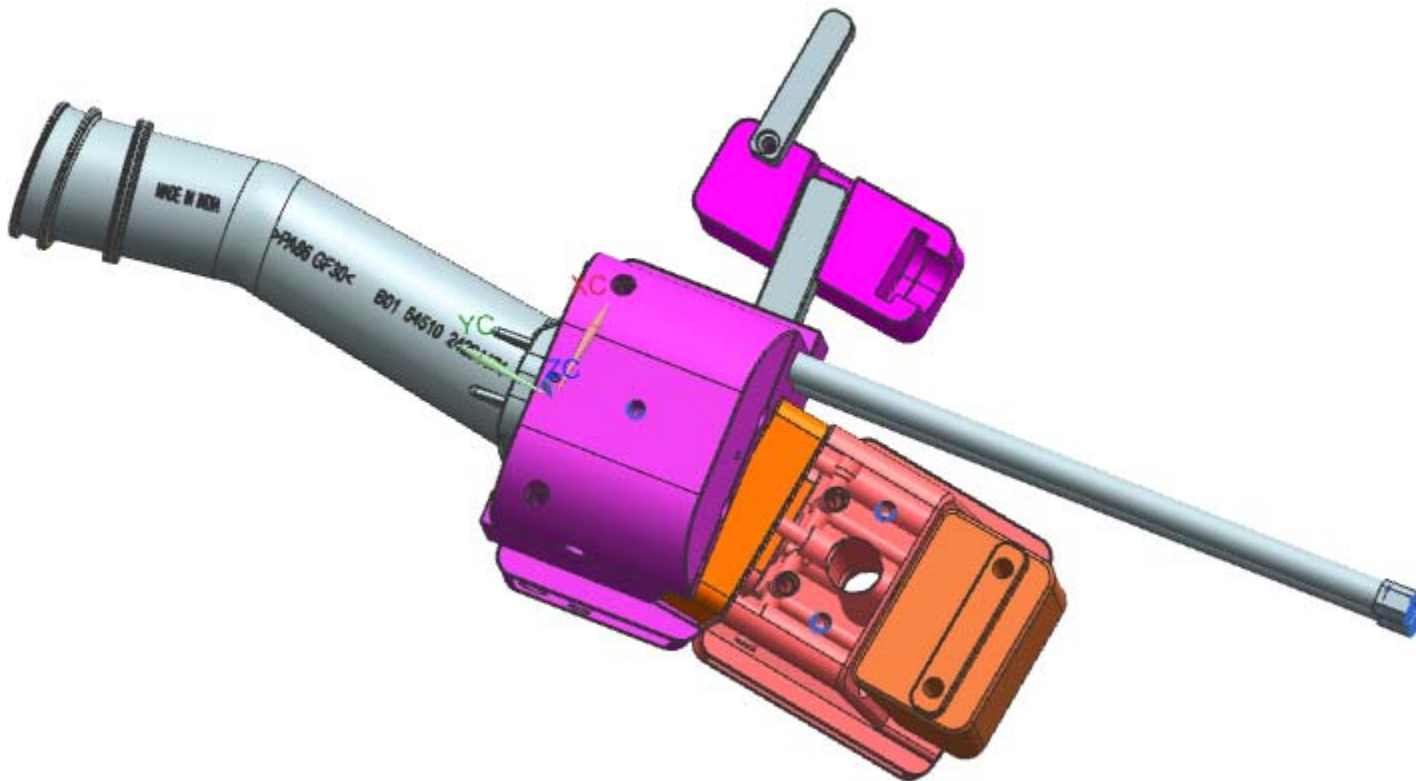
**SIX SLIDES MOVEMENT WITH
SINGLE CARRIER**

OIL STRAINER



SLIDER EJECTION

CONNECTING PIPE



SLIDE-IN-SLIDE MOVEMENT







FUEL GUIDE RAIL



DOOR HANDLE – GAS MOLDED







UPPER CENTRE BEZEL



CENTRE BEZEL



UPPER CENTRE BEZEL



IN MOLD DECTORATIVE PART

CENTRE BEZEL



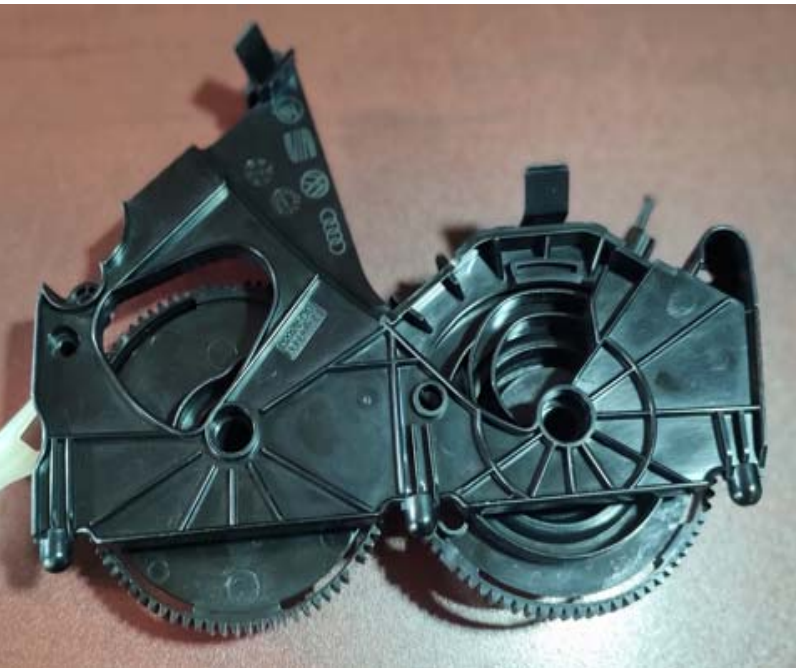
CENTRE FASCIA

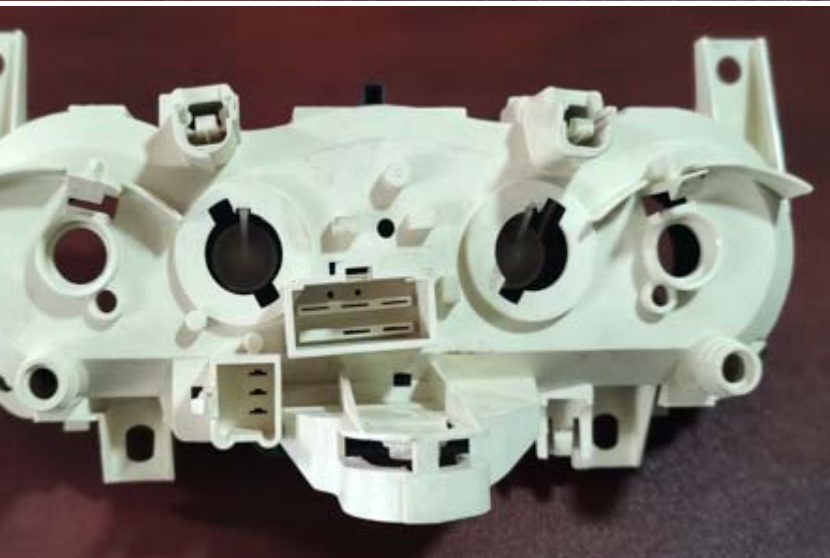
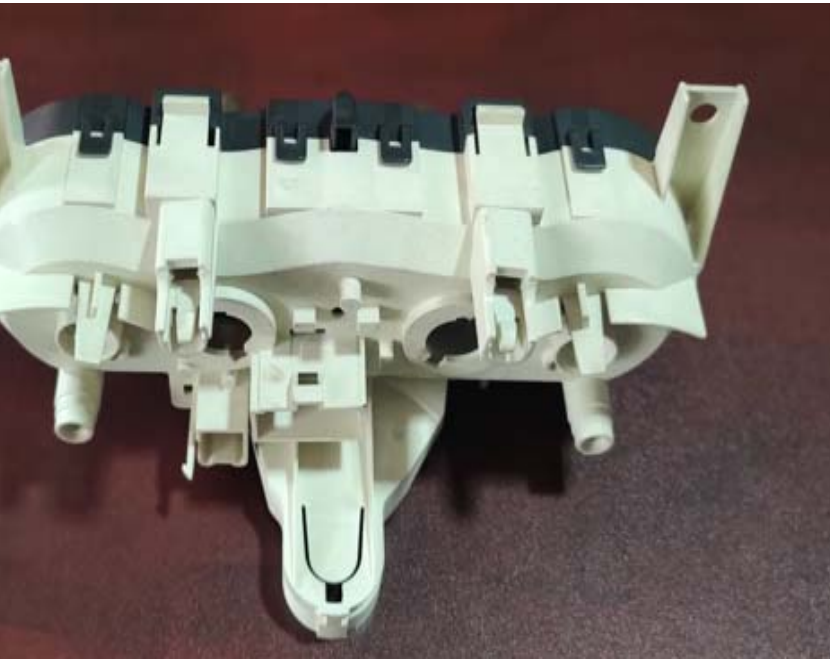


CONSOLE TOP PANEL



GEARS, BASE PLATE AND PINION ASSEMBLY





**CONTROLE PANEL
AND BASE PLATE**

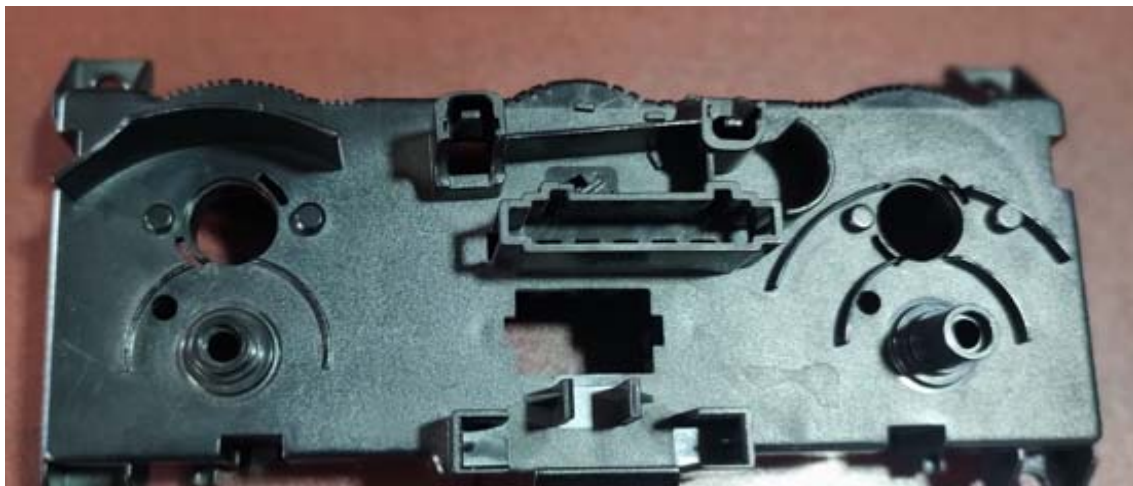


CLUSTER PANEL MOUNTING PLATE





SYSTEM CARRIER



THANK YOU